

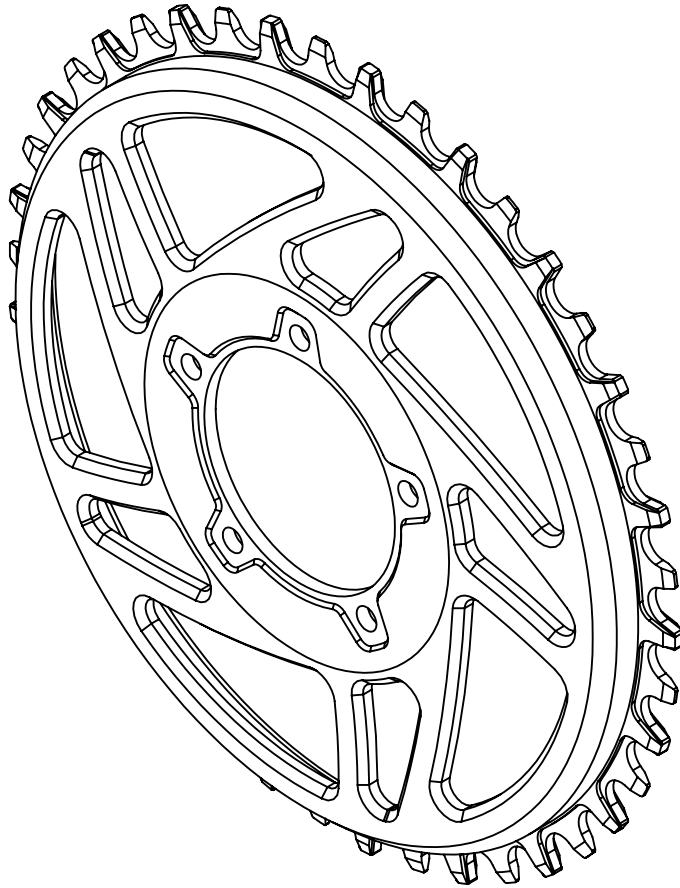
TIPS AND TRICKS

FOR BLING RINGS V1, V2

COMPATABLE WITH **BAFANG BBS01/BBS02/BBSHD**

INCLUDES

1X LEKKIE BLING RING



TOOLS REQUIRED

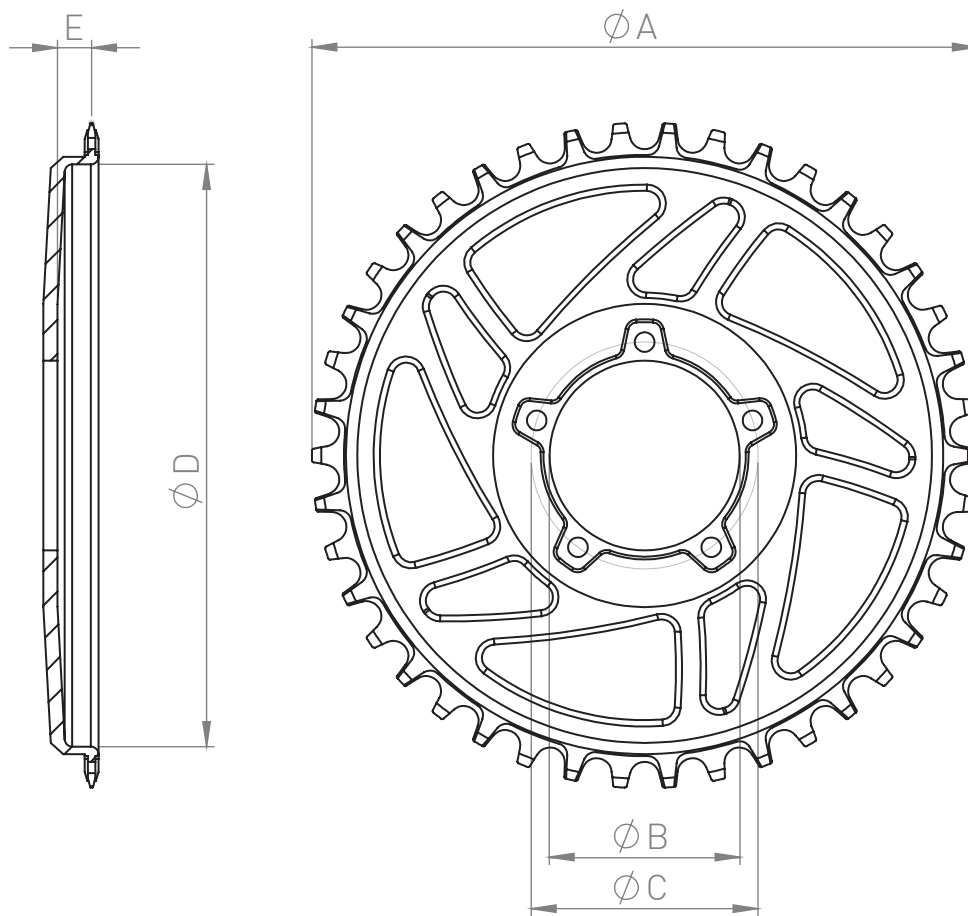
- 4mm hex key

INSTALL TIPS

- Clean and lubricate axle with a multi-purpose grease before install.
- Apply Loctite 243 to bolt thread.
- Make sure left and right cranks are on the correct sides.
- Tighten to 60Nm
- Always install a new chain when installing a Bling Ring
- If you are offsetting by more than 2mm use longer bolts.
- Make sure when you install your Bling Ring you have at least 1.5mm gap between wide tooth and chainstay to allow flex.
- Tighten to 6Nm
- Try to get the chainline to the centre of your cassette - see below for details.
- Clean and lubricate chain regularly.
- DO NOT use half links in the chain.

DIMENISONS

Here are the basic dimensions of the Bling Ring. Note the image is just an illsutation to explain the drawing.



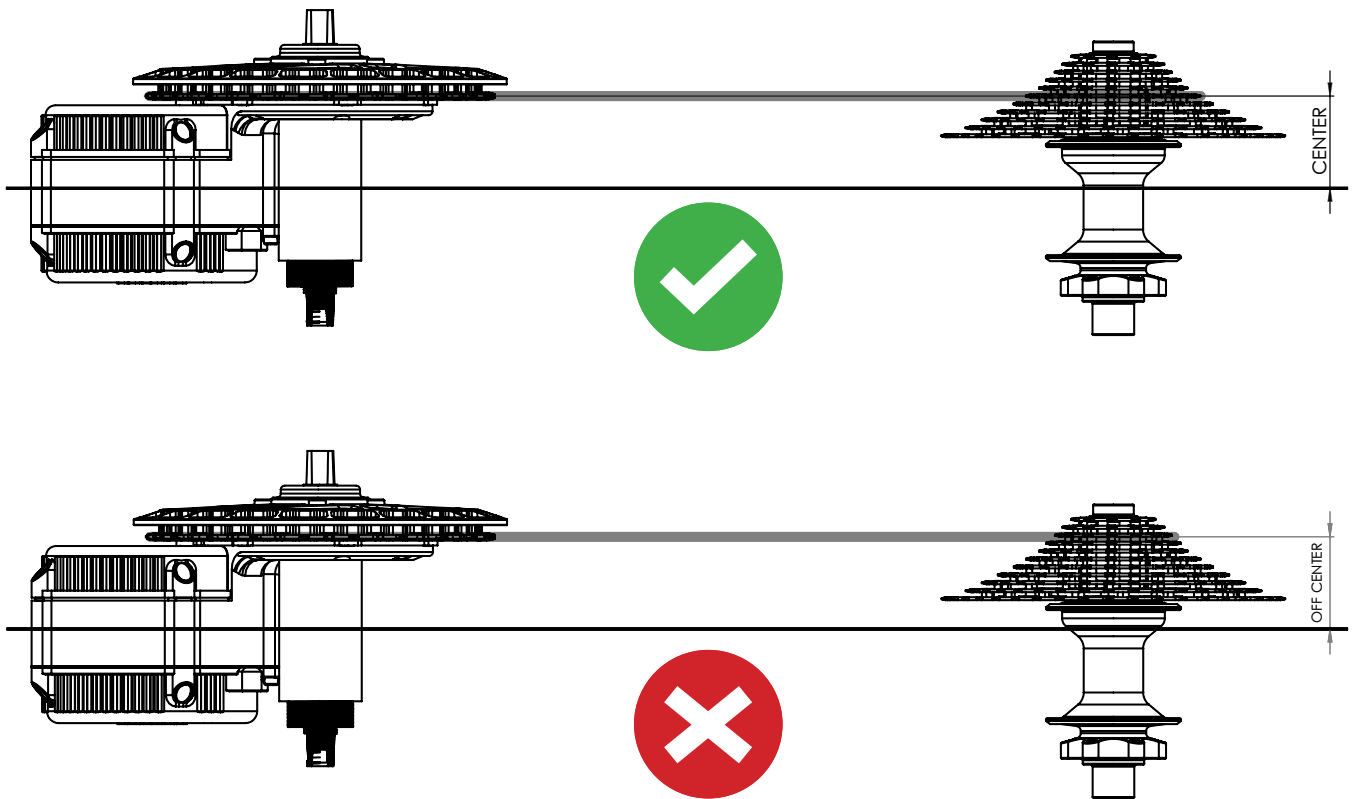
PRODUCT	A	B	C	D	E
BLING RING 28 01/02	119	50.2	60	n/a	-1.8
BLING RING 28 HD	119	41.3	51	96	5.2
BLING RING 36 01/02	152	50.2	60	128	-0.8
BLING RING 36 HD	152	41.3	51	128	5.2
BLING RING 40 01/02	168	50.2	60	151	11
BLING RING 40 HD	168	41.3	51	151	20.8
BLING RING 42 01/02	176	50.2	60	154	9
BLING RING 42 HD	176	41.3	51	154	18.3
BLING RING 46 01/02	192	50.2	60	169	9
BLING RING 46 HD	192	41.3	51	169	18.3
BLING RING 52 01/02	216	50.2	60	193	6.5
BLING RING 52 HD	216	41.3	51	193	16.3
STOCK 01/02 48T	199	50.1	60	161	5.4
STOCK HD 46T	195	41.3	51	154	17.5

Measurements in mm

CHAINLINE

When building your machine you want to replicate the chainline that was on the bike before you converted it. Ideally you want the chainline to line up with the centre of your cassette.

The Blingring is designed to give you the best possible chainline however sometimes you may need to adjust your offset using spacers to get that chainline perfectly suited to the unique geometry of your build.



CHAIN COMPATIBILITY

The Lekkie Bling Ring is compatible with most chains up to 11-speed (known to work with some 12 speeds too). If your chain is not sitting well on the chainring try using a Shimano chain compatible with the number of gears. EG HG-X11 11 Speed. Note if the chain is tight on the teeth do not use.

GEOMETRY

The 42T and 46T offset gives you the best possible chainline without interfering with the motor. However chainstay interference is a big issue in building your bike - the larger the sprocket the closer the chainstay gets so you may need to use a spacer to clear the chainstay.

WARRANTY

At Lekkie we don't accept anything but the best workmanship and quality. If a part has slipped through our QC system and made it to your hands let us know and we will put it right.

If one of our products fails we want to know so we can make our products better. If you destroy a lekkie product in extreme use tell us. We can learn from this and sell you something so suit your needs.

If you are in anyway unhappy with your Lekkie product get in touch so we can put it right.