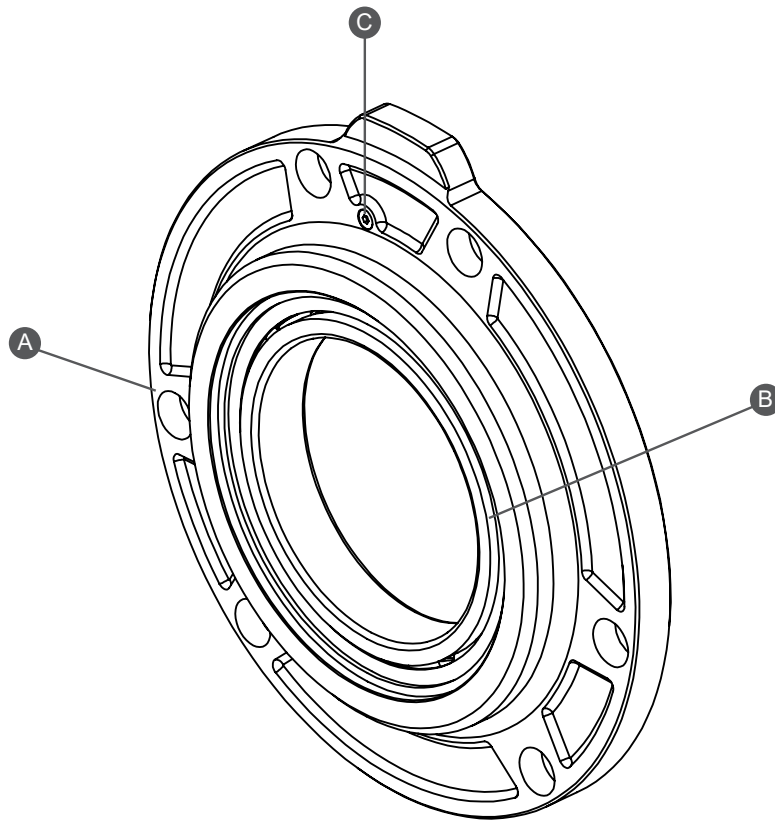


TIPS AND TRICKS

FOR LEKKIE DRIVE COVER HD COMPATABLE WITH **BAFANG BBSHD MOTOR**

INCLUDES

- A** 1X DRIVE COVER HD V2
 - B** 1X MAIN BEARING
 - C** 1X GREASE PORT SCREW
- NOTE: FOR V2 OR NEWER



TOOLS REQUIRED

- 8mm hex key
- 4mm hex key
- Rubber mallet
- Bearing press
- Moly-grease
- All purpose lithium grease
- High viscosity cassette grease
- Loctite 243

When installing the Lekkie Drive Cover HD you will require some tools and some hands on experience with your motor. If you do not the have required tools, confidence or skills to install this take your motor to your local bike shop or engneering shop and they should be able to help you out.

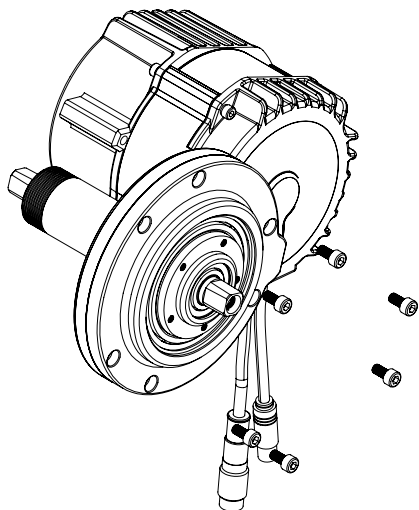
INSTALL TIPS

Here are some tips to keep in mind while completing the install.

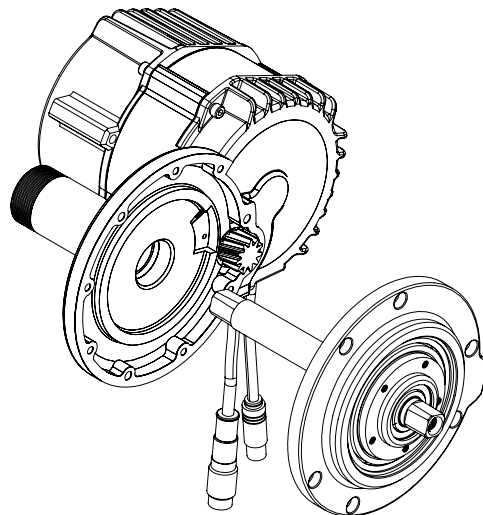
- Check paper gasket and replace if damaged.
- When the motor is open check all bearings and replace/re-grease if need be.
- To keep everything running smooth end easy to maintain make sure you grease all metal to metal surfaces.
- Clean any excess grease out of the motor while it is open.
- Clean and grease the main gear and pinion.
- Always grease the axle taper before install cranks.

DISASSEMBLY

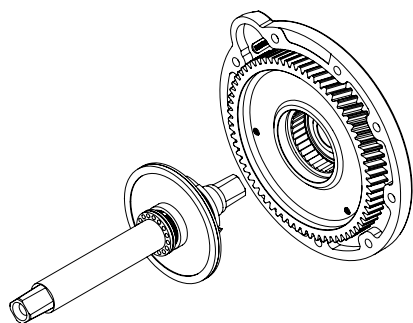
Before you can install the Lekkie Drive Cover HD you need to remove the stock Bafang cover and bearing. This also gives you the opportunity to check your drive gear, pinion and bearings and replace any parts as needed.



1. Using a 4mm hex unscrew the 6 screws holding on the stock cover and remove.

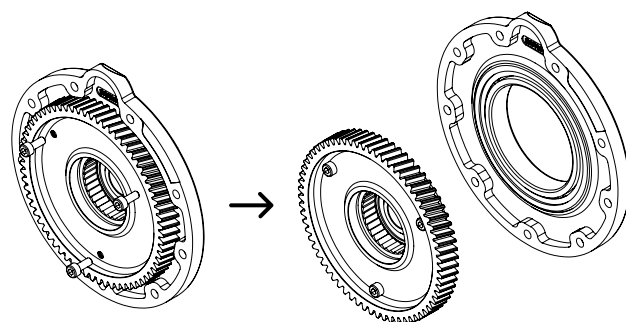


2. Tap the axle from left side of motor, loosening the drive assembly and remove assembly.



3. Holding the stock drive cover, gently tap the axle from the drive side and pull out the axle assembly.

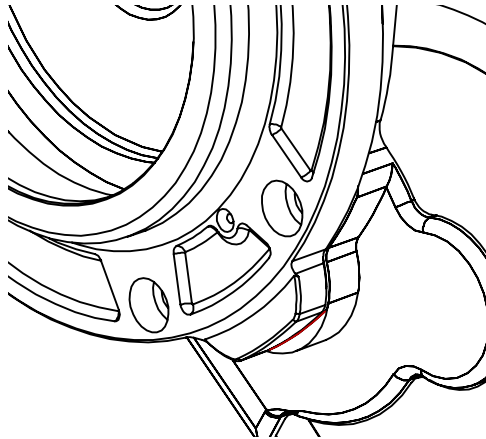
Note: This will remove the whole axle assembly so be careful not to lose any parts.



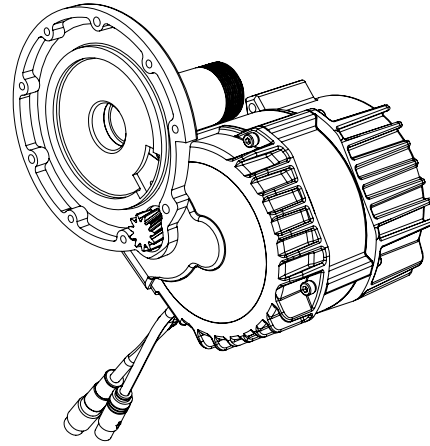
4. Screw 3 M3 screws into the back side of the drive gear until they are touching the bearing. Start turning one screw one turn, then the next screw once, then turn the next screw one turn, then the next. Repeat until the gear is removed.

MOTOR MODIFICATION

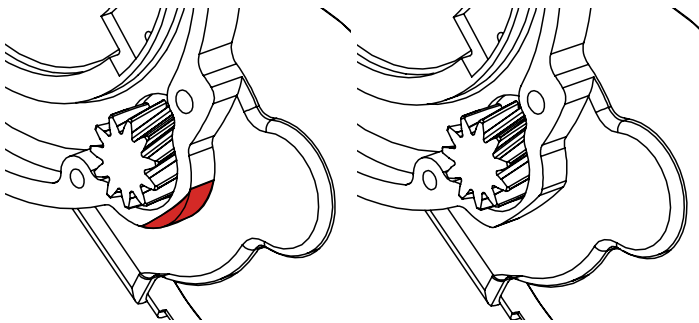
Only required if you are installing a Bling Ring 40T **without** a spacer. You must complete the motor modification steps or your Bling Ring 40T will hit your motor and damage the Bling Ring. This modification will require you to file a small amount of material off your motor. If completed correctly the performance and durability of the motor will not be effected. If you are not comfortable doing this you will just need to use your the supplied spacer to clear the motor.



1. Place the Lekkies Drive Cover HD on the motor and trace pinion cover edge.

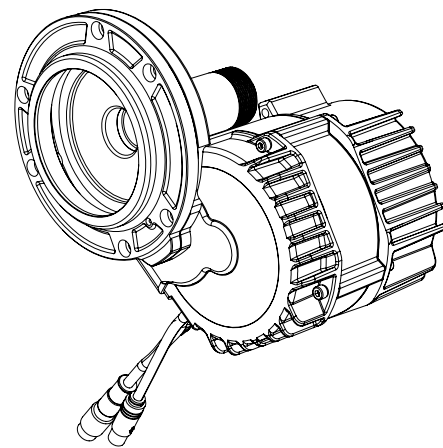


2. Remove the Lekkies Drive Cover HD. Note the scribbled in mark showing what you will be removing.



3. Using a file, carefully remove material to the scribbled in line making it the same shape as the Lekkies Drive Cover HD. You may also need to trim the paper gasket.

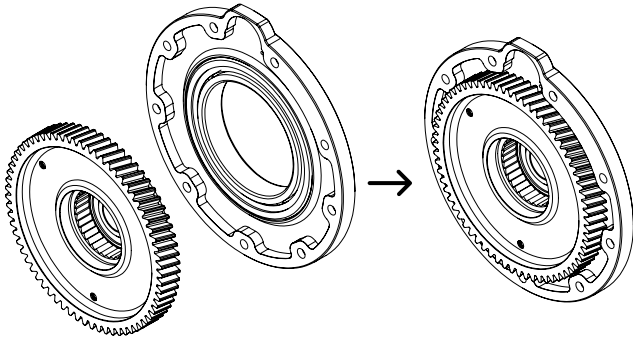
Note: We suggest covering the pinion and inside of the motor so that the metal filings do not make it into the motor.



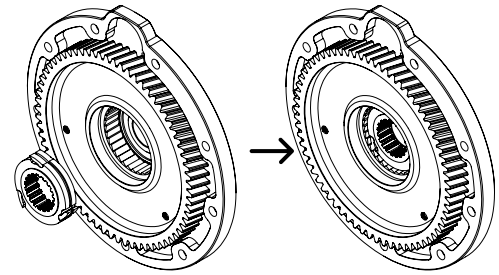
4. Place the Lekkies Drive Cover HD on the motor and check the shape. Repeat previous steps if more material removal is required.

ASSEMBLY

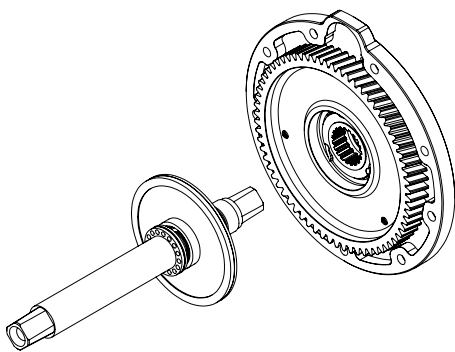
Re-assembly is easy and painless. When re-assembling the motor make sure you grease all metal on metal parts. Do not force any parts and if you are unsure, stop the assembly and contact us.



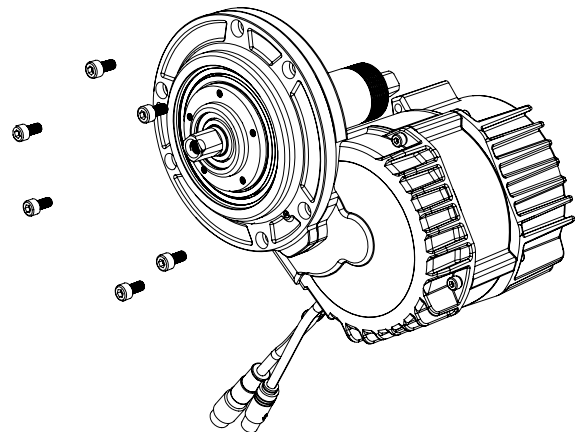
1. Press the main drive gear into the new bearing in the Lekkier Drive Cover HD.
Note: Grease the inner edge of the bearing.



2. Insert the clutch assembly into the drive gear, making sure the pawls are engaging the correct way.
Note: You can lubricate the clutch with a light coating of a high viscosity grease used to maintain cassette



3. Slide the remaining axle assembly in.
Note: Grease all touching surfaces to make maintenance easy.



4. Install paper gasket then slide the new drive assembly in. Clean, apply Loctite 243, and install the 6 M4 drive cover bolts. Tighten to 6Nm.
Note: Replace gasket if damaged.

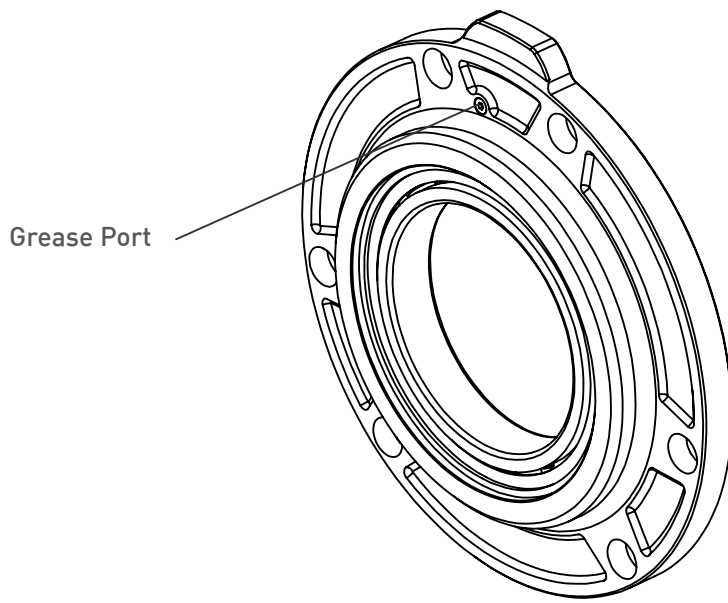
GREASE PORT

To keep your motor running its best its important to regularly grease the main drive gear and pinion. We have added a grease port to the Lekkie Drive Cover HD V2 to allow this.

To do so simply remove the grease port screw and using a grease gun, squirt moly-grease in while slowly turning the motor.

The port is positioned at the junction of the drive gear and pinion.

Note: The grease port is only on V2 or newer.



WARRANTY

At Lekkie we don't accept anything but the best workmanship and quality. If a part has slipped through our QC system and made it to your hands let us know and we will put it right.

If one of our products fails we want to know so we can make our products better. If you destroy a lekkie product in extreme use tell us. We can learn from this and sell you something so suit your needs.

If you are in anyway unhappy with your Lekkie product get in touch so we can put it right.